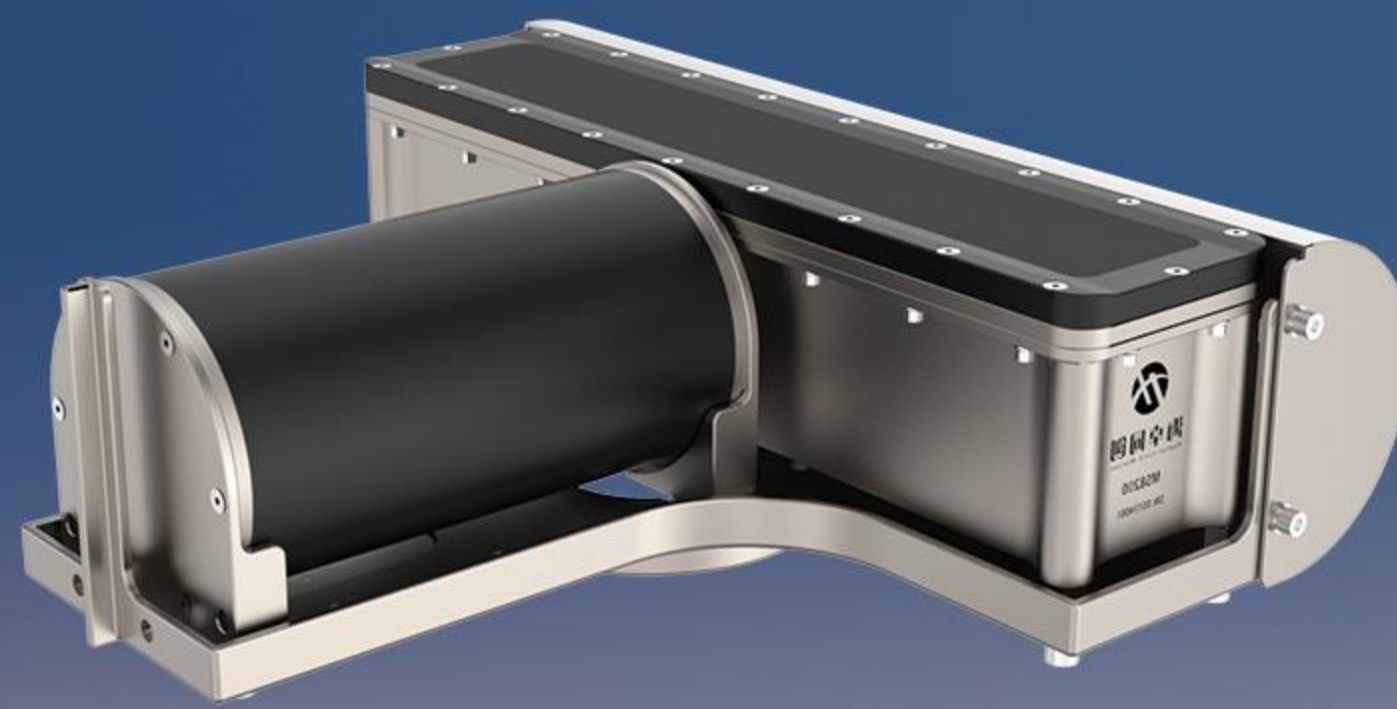


Hydro-Tech MS8240

Multibeam Echosounder



Multifunction All in One Multibeam Sonar
Transcendent Algorithm for Various
Hvdrological Condition.



Reliable Surveying

- 160° ultra wide swath sector
- 8 times depth coverage
- Up to 60Hz ping rate
- 500+ sounding depth



Multi-applications

- 3D Underwater Survey
- Side Scan Imaging
- Water Column Imaging
- Multi-target Monitoring
- Built in IMU (optional)



Muddy Water Optimization

Applicable for offshore
coasta area,waterway,
high sediment water
survey area .



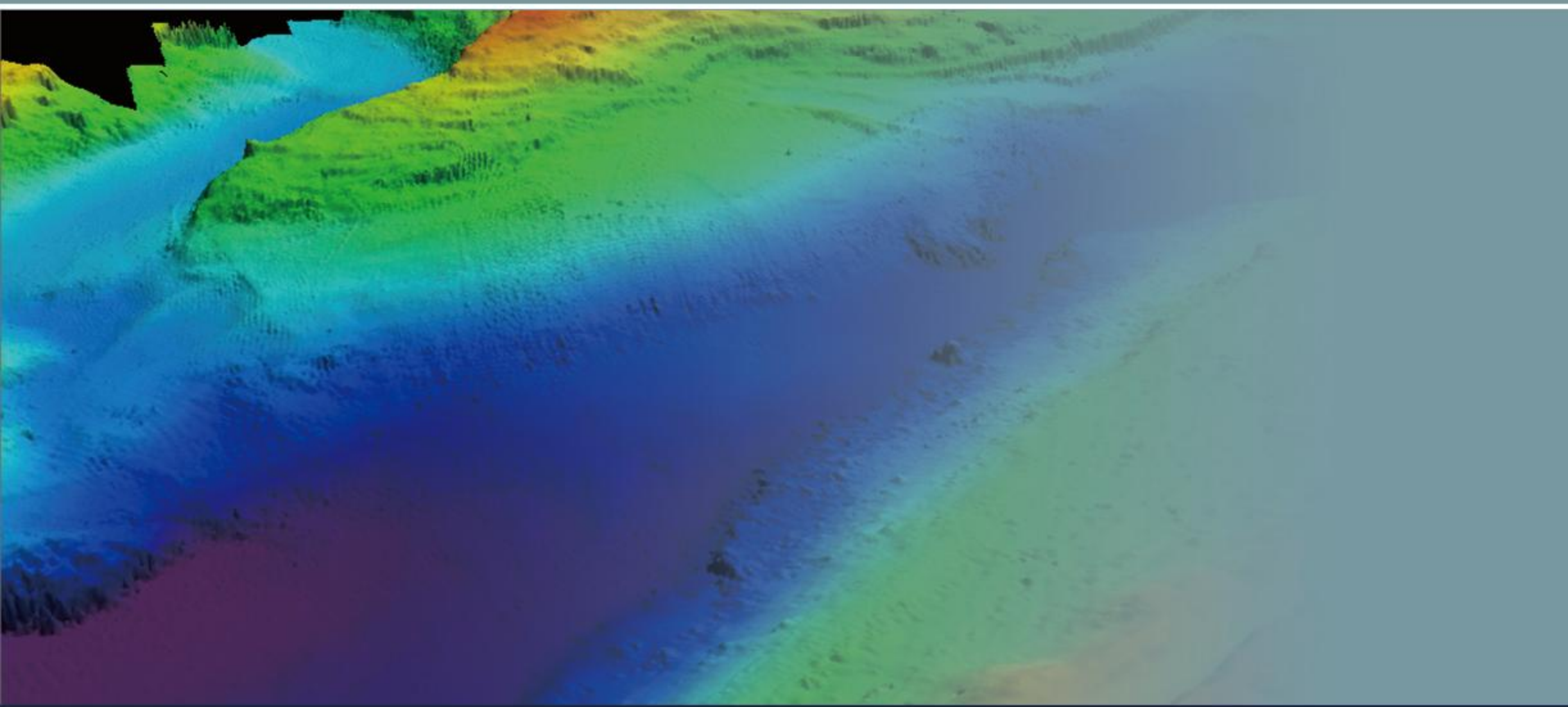
Hydro-Tech

Beijing Hydro-Tech Marine Technology Co.,Ltd

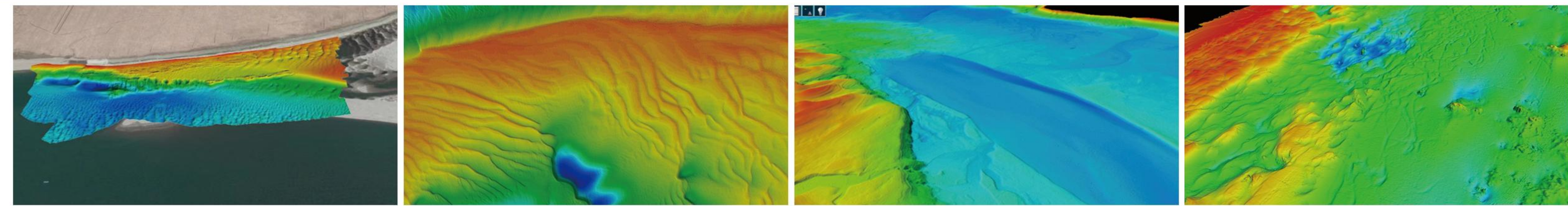


Learn more

Hydro-Tech MS8240 Multibeam Echosounder



MS8240 is born to cater complex underwater terrain changes and can obtain clean and high-resolution data quality. This multibeam sonar can output 150~450kHz continuous frequency conversion and also supports 700kHz ultra-high frequency signal output, which can capture ultra-high resolution 3D topographic data and present excellent details for your survey work.



Applications

- Large scope shallow water research and investigation.
- Offshore and waterway survey.
- Water conservation, harbor or windmill operation and maintenance.
- Oil mining exploration and other large industrial applications.



Offshore Survey



Navigation Check



Resource Exploration



Engineering Project

Vehicle



Small and medium size vessel



Specialized survey vessel



Technical Specification

Selectable frequencies	150 ~ 450kHz,700kHz(Optional)
Number of soundings	512,1024(Optional)
Cross track beamwidth	0.3°@700kHz 0.5°@400kHz 1°@200kHz
Along track beamwidth	0.6°@700kHz 1°@400kHz 2°@200kHz
Swath coverage	160°
Sounding depth	0.2-500m
Sounding resolution	0.75cm
Max ping rate	60Hz
Sounding pattern	CW/Chirp
Type of signal	CW/Chirp
Pulse width	30us-8ms
Max operating depth	50m



Special Feature

Near field focusing	Yes
Bottom tracking	Yes
Water column imaging	Yes
Real-time roll stabilization	Yes
Muddy water survey	Yes



Physical Specification

Sonar dimension	499 × 456.5 × 147mm
Sonar weight	23.35kg
Topside dimension	200 × 145 × 75.5mm
Topside weight	1.9kg
Operating temperature	-2°C ~ 40°C
Storage temperature	-20°C ~ 55°C
Power supply	DC 10 ~ 32V AC 110 ~ 240V
Power consumption	70W ~ 90W
Sonar cable length	15m



Software configuration

Navigation and data logging	HydroNavi
Compatible with	Qinsy,Hypack, EIVA
Data processing	Qimera, Hypack, EIVA



Auxiliary Equipment

Sound velocity sensor	Built-in SVS1500M
Sound velocity profiler	Optional SVP1500
Inertial navigation system	Optional POS15 or POS25
Positioning	POS Built inTrimble GNSS



Optional positioning and attitude instrument specs

Model	POS-S08	POS-S15
Heading accuracy (GNSS enabled)	0.01°,4 mmBase Line 0.02°, 2 mmBase Line	0.015°,4 mBase Line 0.03°, 2 mBase Line
Attitude accuracy (GNSS enabled)	0.01°,Real-Time RTK 0.008°,processed	0.02°,Real-Time RTK 0.015°,processed
Heave accuracy	5cm or5%h,2cm or2%h(TrueHeave)	
Horizontal positioning accuracy	±8mm+1ppm(RTK/PPK),10cm(PPP Satellite station difference), 2-5m(DGPS)	
Auxiliary positioning accuracy	1.Support Qianxun RTK CORS 2.PPK PP-RTK supported	