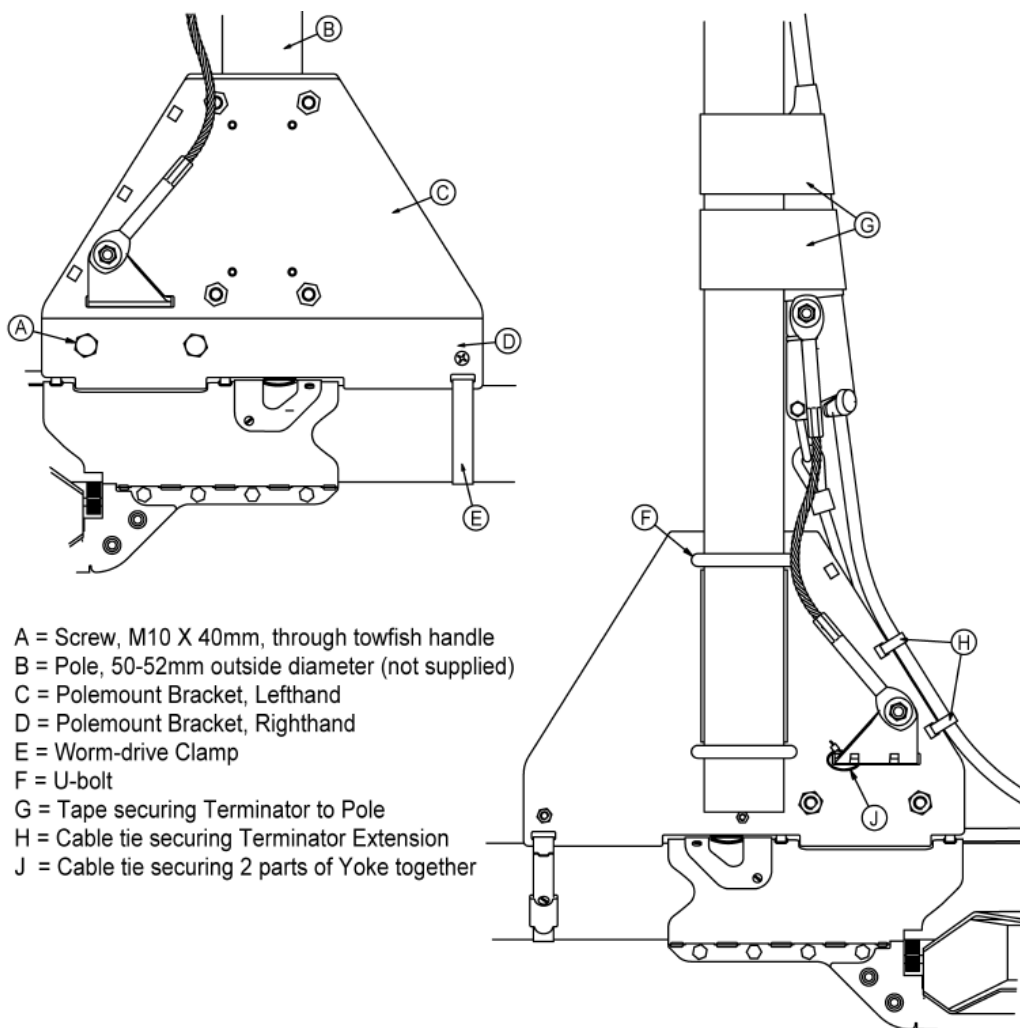


FIITING THE POLEMOUNT BRACKET



Fitting the Polemount Bracket

