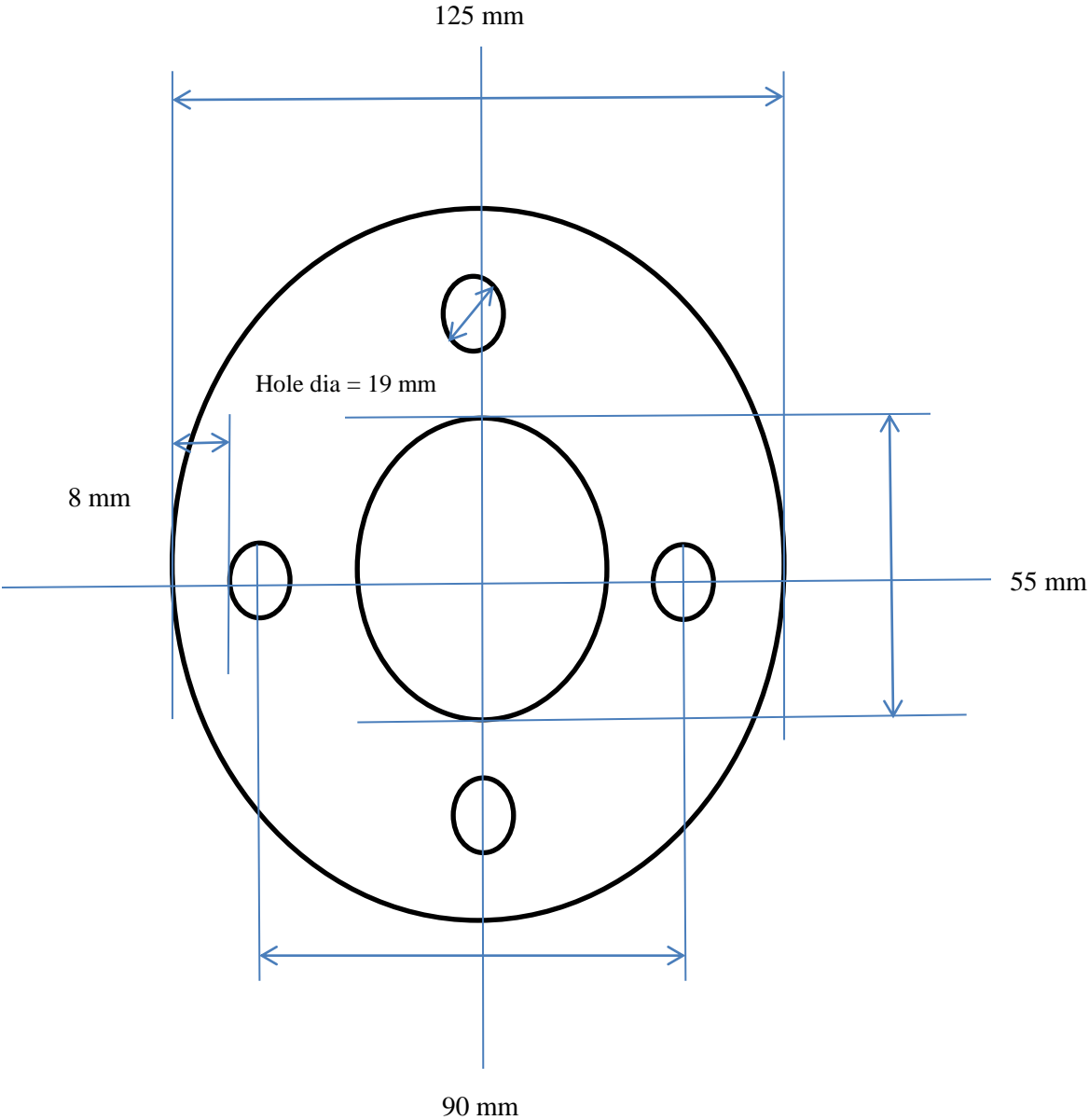
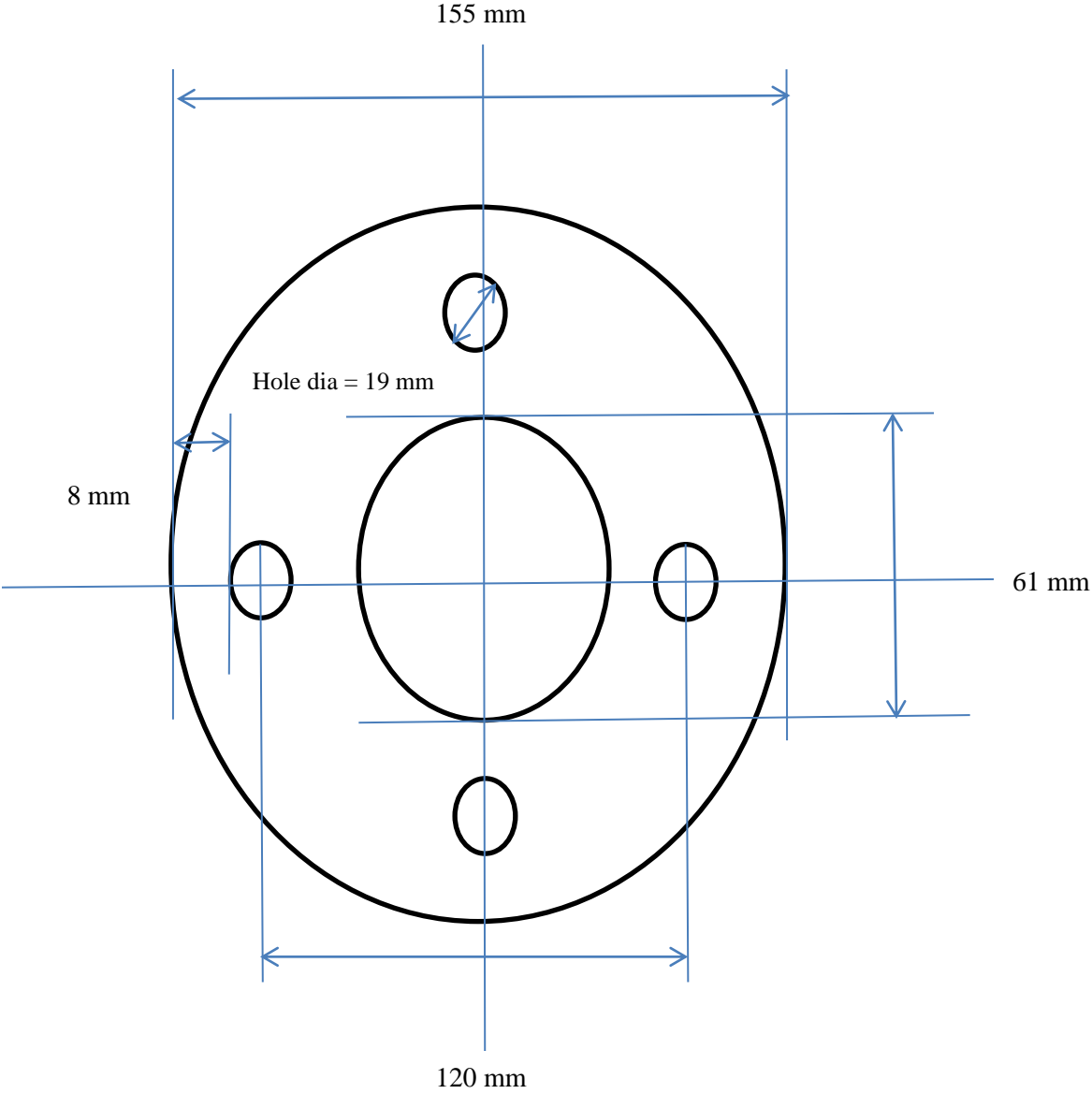


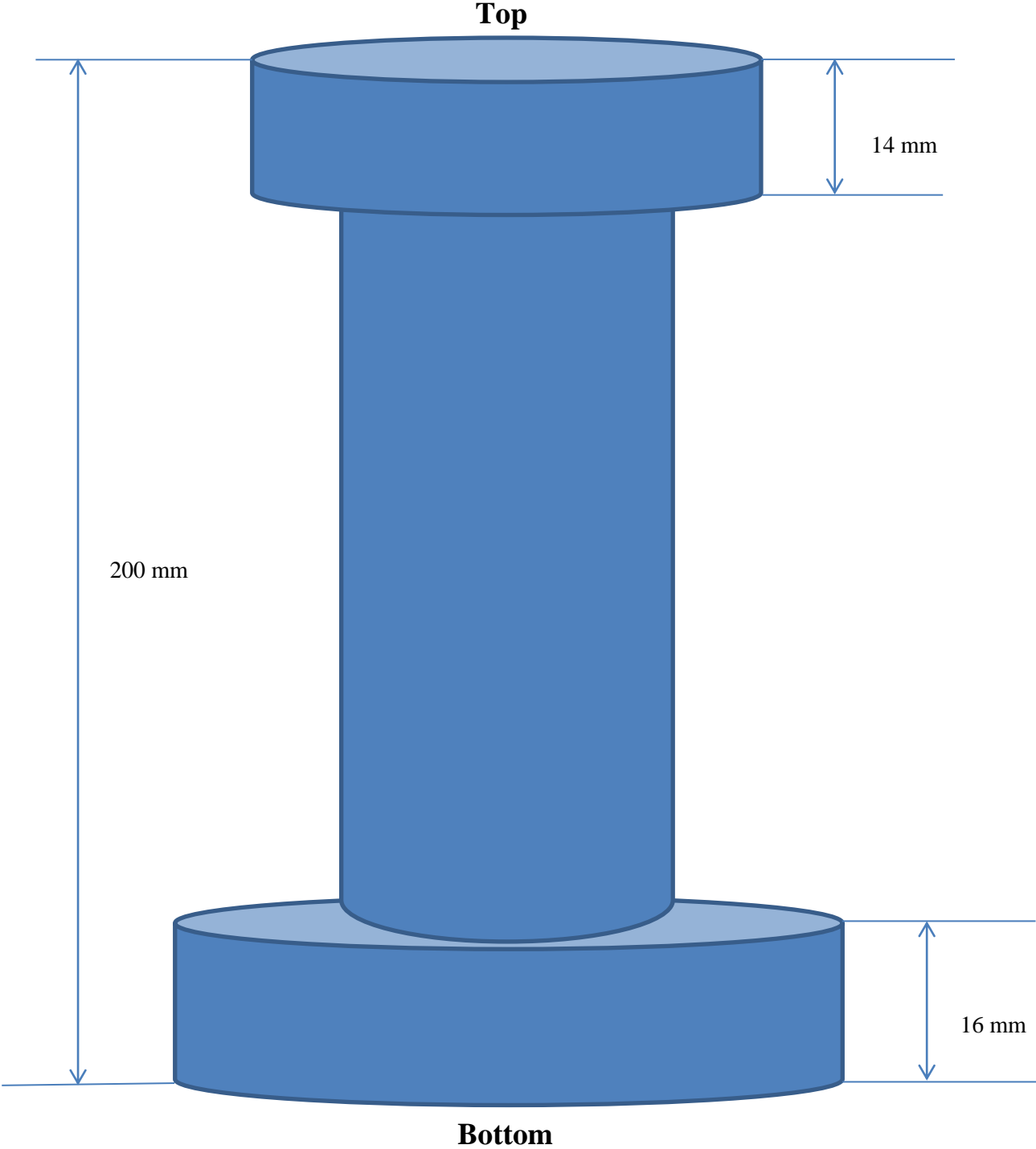
Flange Size 125mm (Top)



Flange Size 155mm (Bottom)



Complete USBL Reducer



Schematic of reducer dimensions – NOT TO SCALE