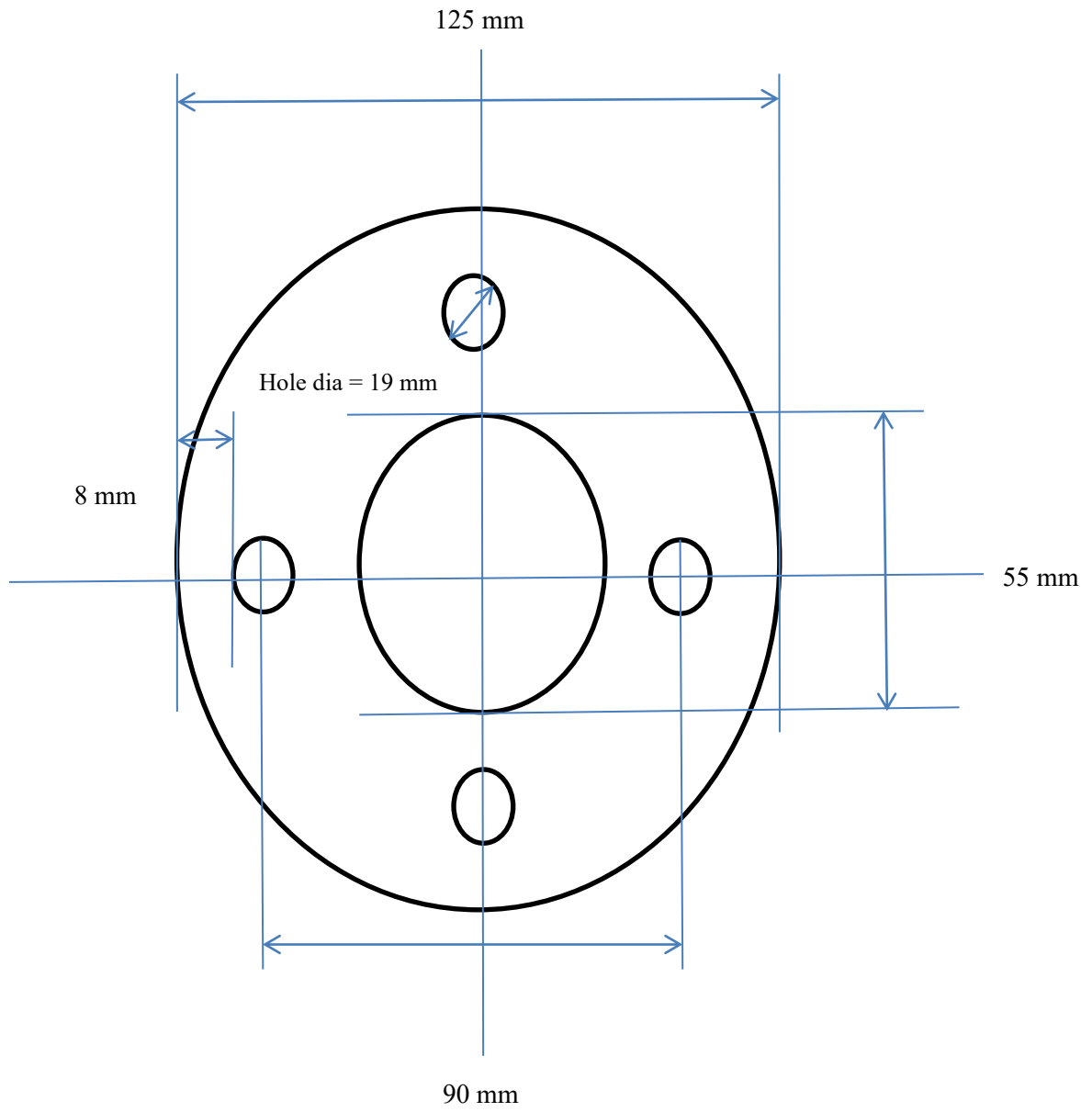
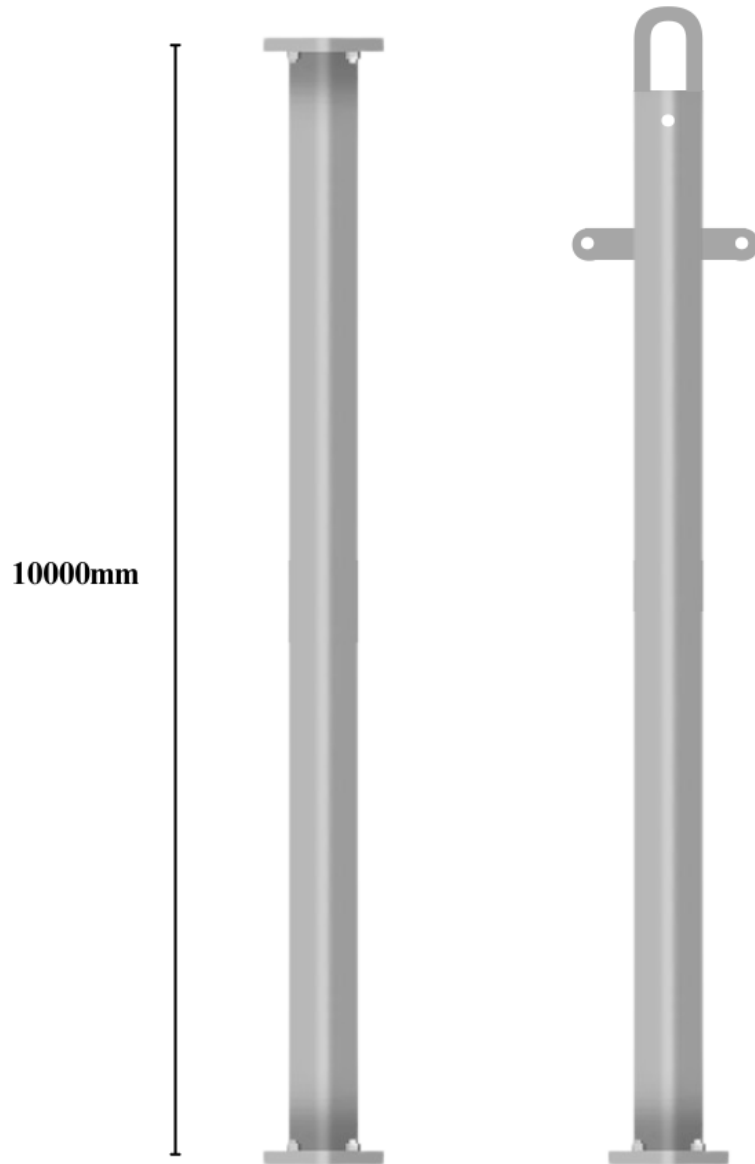


**Flange Size 125mm**



**Complete Pole**



**Schematic of dimensions - NOT TO SCALE**