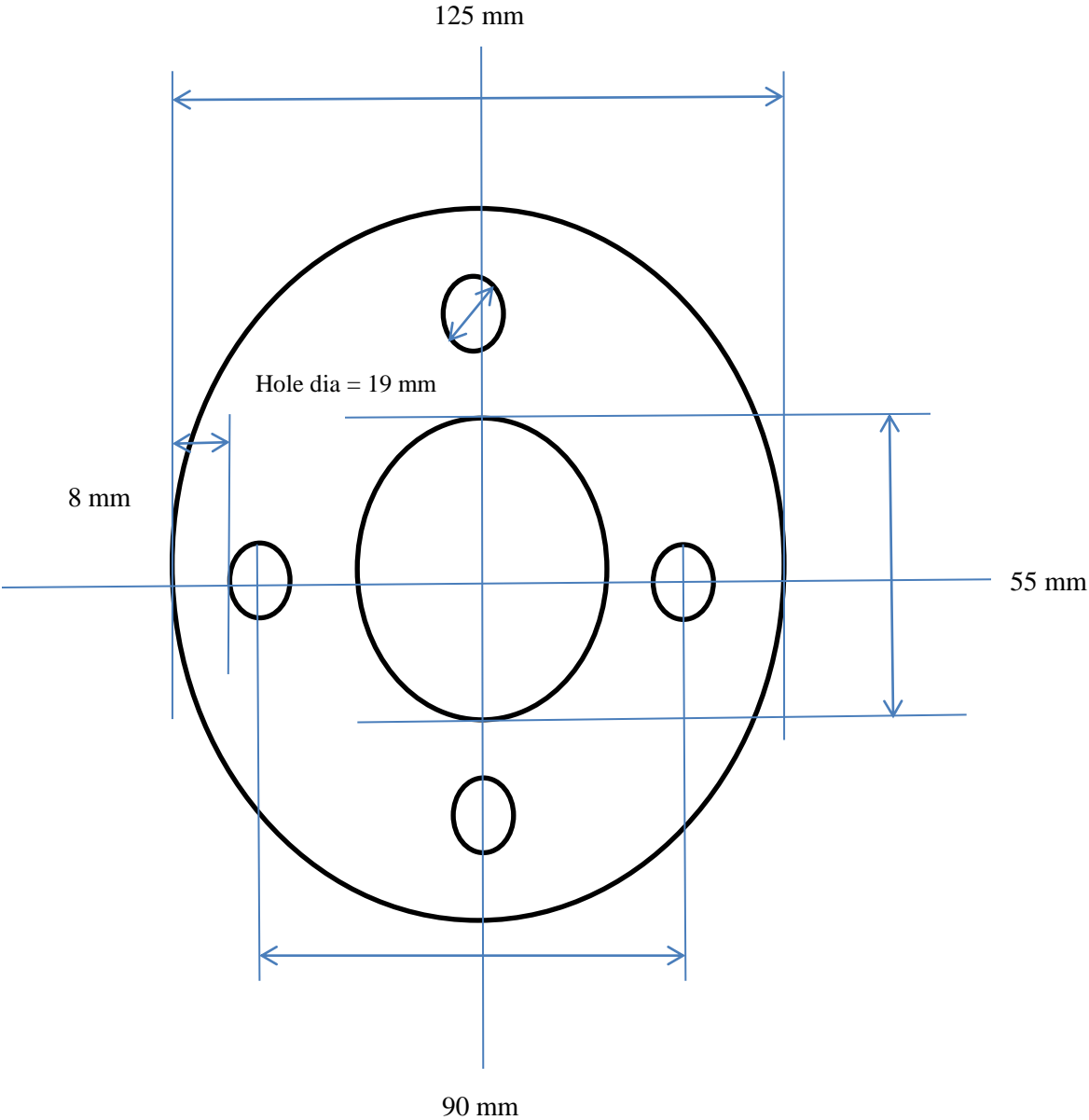
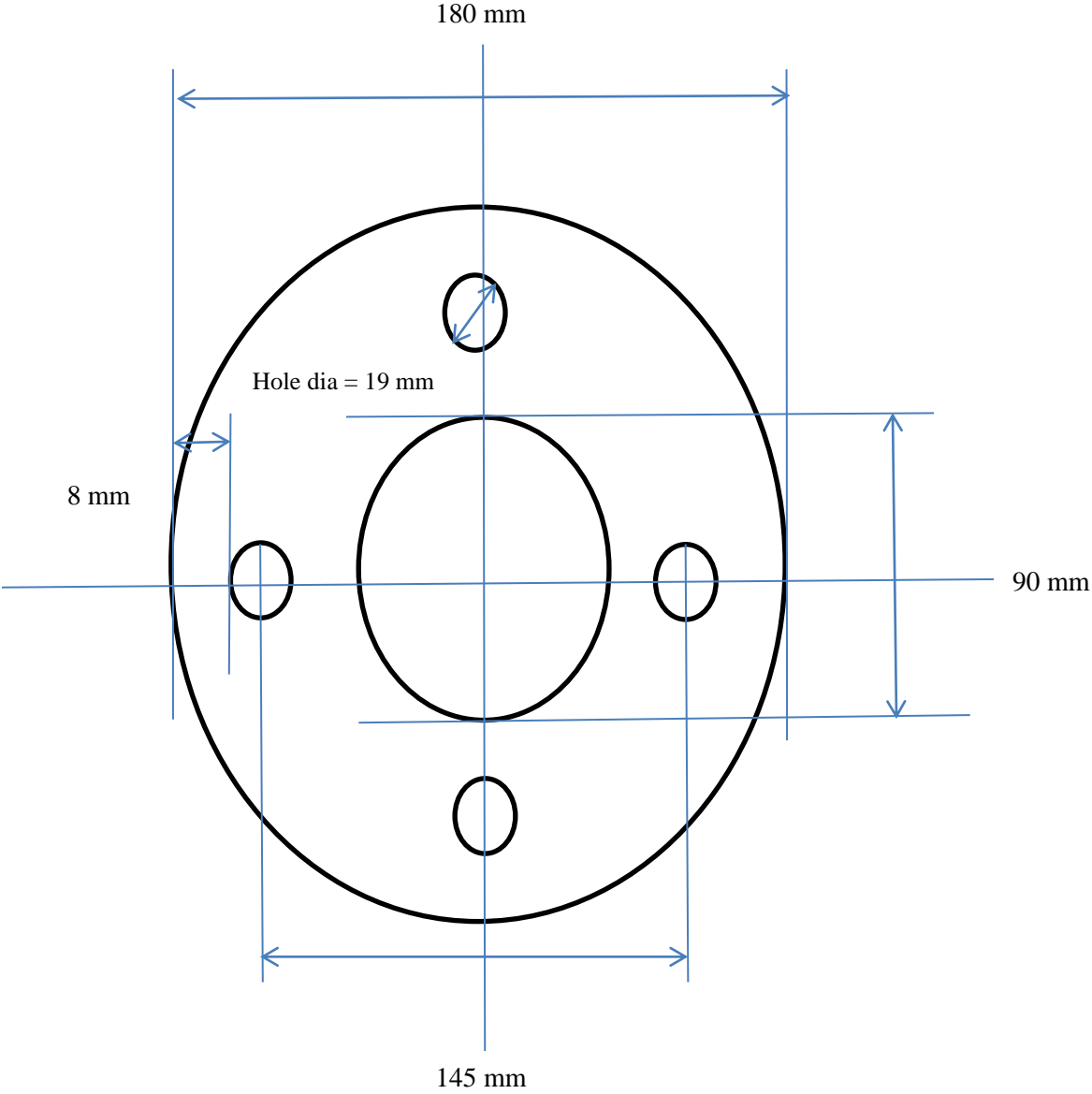


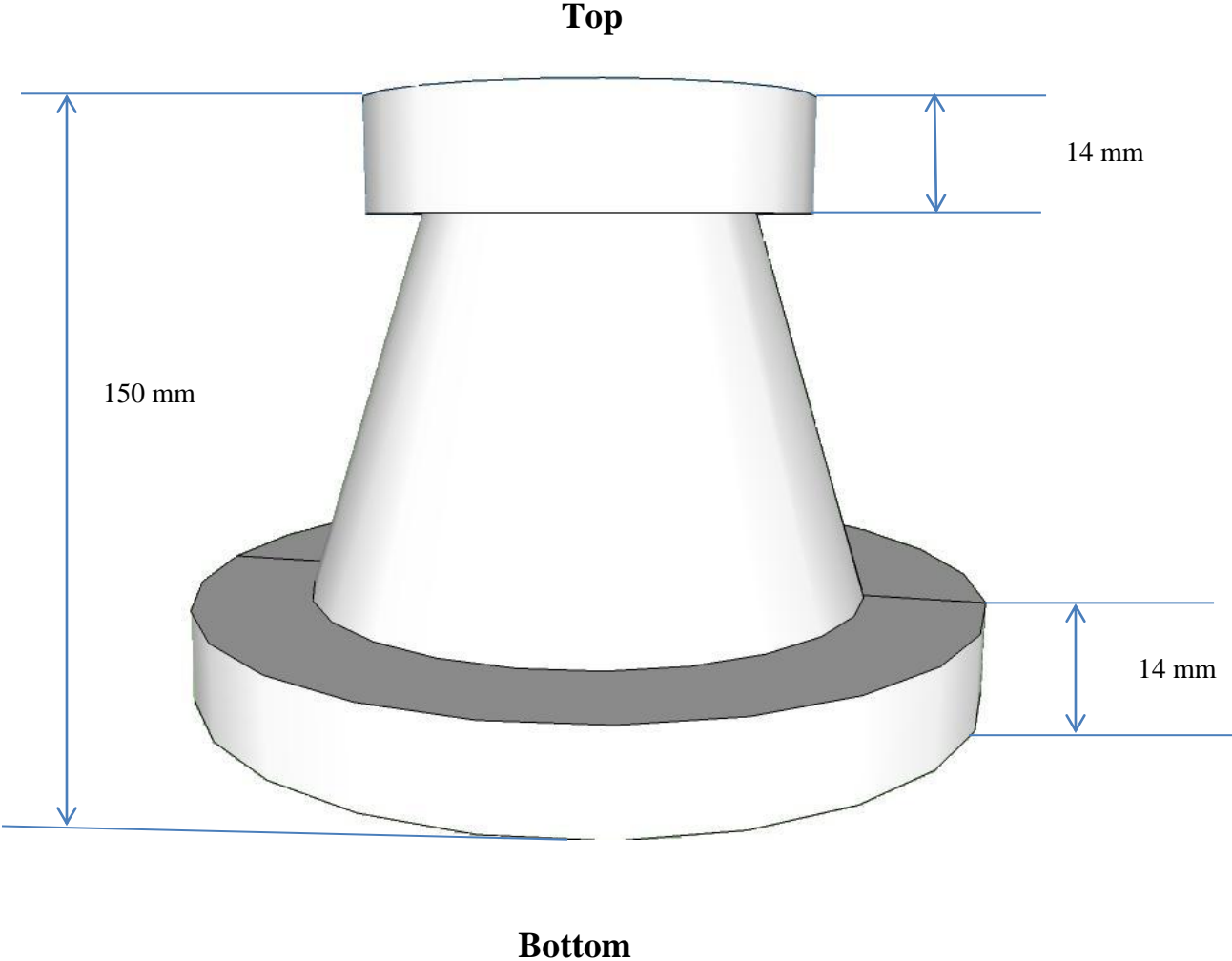
Flange Size 125mm (Top)



Flange Size 180mm (Bottom)



Complete Innomar Reducer



Schematic of reducer dimensions – NOT TO SCALE